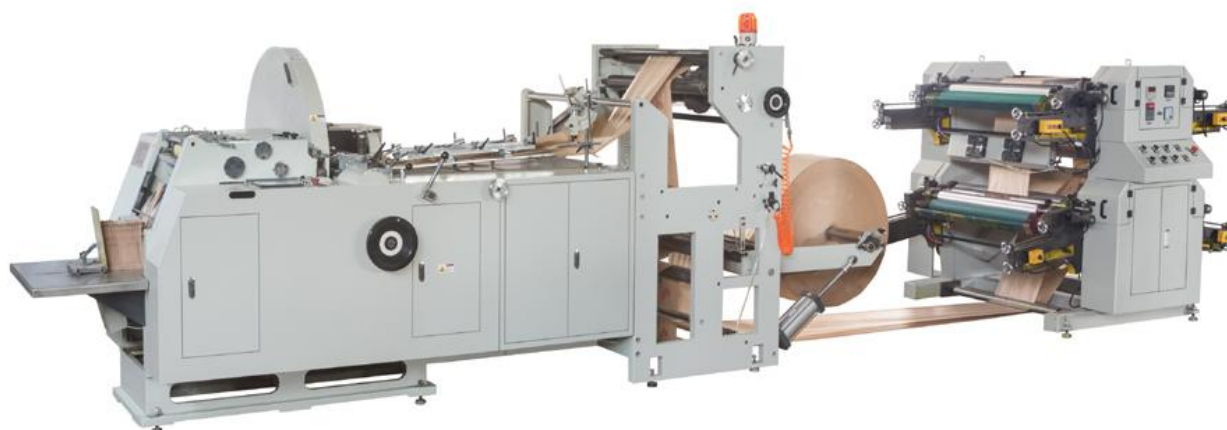


LMD-400/600+YT-4800 Automatic High Speed Paper Bag Machine With Flexo Printing Machine

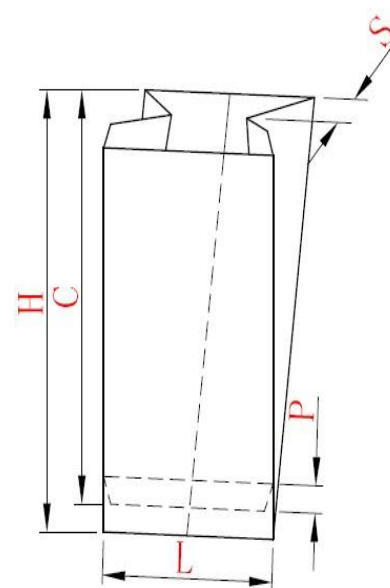


Introduction:

This machine forming the paper bag in one process from roll paper, printing, edge folding, tube forming, cutting, gluing, bottom folding, bottom gluing and finishing bag. Easy operation, low power consumption, high efficiency. It is an ideal machine for producing food bags like bread bags, KFC bags and McDonald's bags.

Features:

1. The human-machine touch screen interface, the work condition can be shown in real-time.
2. Equipped with accurate servo motor drive, it makes the machine run steadily and efficiently.
3. Material lifting adopt pneumatic lift structure.
4. Automatic constant tension control system. The tension will be just right from beginning to end.
5. Double photoelectric sensor limit automatic correction control system and deviation rectification stability, energy saving, long life.
6. The machine has automatic counting system. The user can set a number to count.
7. Accurate color tracking system, color errors automatically shut down.
8. Automatic lubricating oil supply system.
9. accurate colour register.
10. Lift and lower the printing plate cylinder Automatic, it will automatically stir the printing ink after lifting.
11. The printing ink is spread by the knurled cylinder with even ink colour.



Technical Parameter:

Type	LMD-400+YT-4800	LMD-600+YT-4800
Cutting Length (C)	150-460 mm	230-625 mm
Bag Length (H)	145-455 mm	225-620 mm
Bag Width (L)	70-280 mm	70-280 mm
Gusset Depth (S)	0-50 mm	0-50 mm
Standard Flap (P)	12-20 mm	12-20 mm
Max.Speed	400 pcs/min	400 pcs/min
Paper Thickness	30-80 gsm	30-80 gsm

Paper Roll Width	220-700 mm	220-700 mm
Max.Roll Diameter	1000 mm	1000 mm
Reel Inner Diameter	76 mm	76 mm
Printing Color	4 Color	4 Color
Printing Width	720 mm	720 mm
Printing Length	200-800 mm	200-800 mm
Max.Printing Speed	80 m/min	80 m/min
Overprint Precision	±0.2 mm	±0.2 mm
Thickness of Plate	2.38 mm	2.38 mm
Total Power	9 kw	9 kw
Weight of Machine	4700 kg	4800 kg
Overall Dimension(LxWxH)	7600x1650x1850 mm	7700x1650x1850 mm

Note:

Machine speeds dependent on paper & adhesive qualities, bag dimensions, operator knowledge, and general work philosophy.